

Features

- Specially designed for reverse jet-type dust collector systems
- High flow Cv(s) to 140 for effective bag cleaning
- High cycle life
- Fast opening/closing

Construction

| Valve Parts in Contact with Fluids | |
|------------------------------------|-------------------------|
| Body | Aluminum |
| Seals | NBR |
| Diaphragm | NBR, HYT or CR as noted |
| Discs | NBR or PA, as noted |

Electrical

| Standard Coil and Class of Insulation | Watt Rating and Power Consumption | | | Spare Coil Part Number | |
|---------------------------------------|-----------------------------------|------------|-----------|------------------------|----------------|
| | AC | | | General Purpose | Explosionproof |
| | Watts | VA Holding | VA Inrush | AC | AC |
| F | 6.1 | 16 | 30 | 238210 | 238214 |
| F | 10.1 | 25 | 50 | 238610 | 238614 |
| F | 17.1 | 40 | 70 | 238610 | 238614 |

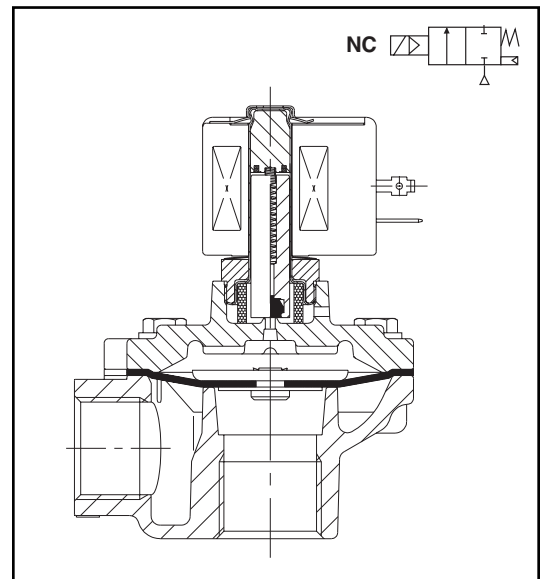
Standard Voltages: 24, 120, 240, 480 volts AC, 60 Hz (or 110, 220 volts AC, 50 Hz), Consult factory for DC voltage. Other voltages available when required.

Solenoid Enclosures

Standard: Watertight, Types 1, 2, 3, 3S, 4, and 4X.

Optional: Explosionproof and Watertight, Types 3, 3S, 4, 4X, 6, 6P, 7, and 9. (To order, add prefix "EF" to catalog number.)

See *Optional Features Section* for other available options. Consult your local ASCO office for details on accessories.



SPECIAL SERVICE VALVES

Nominal Temp. Ranges

Ambient: AC constructions: 0°F to 185°F (-18°C to 85°C); 150°F (66°C) for valves with HYT diaphragms. Consult local sales office for DC constructions.

Fluids: 0°F to 185°F (-18°C to 85°C), except as noted. For temperatures to 300°F (149°C), specify FPM, suffix "V" (except where noted).

Refer to *Engineering Section* for details.

Specifications (English units)

| Pipe Size (in) | Orifice Size (in) | Cv Flow Factor | Min. Operating Pressure Differential (psi) ① | Max. Operating Pressure Differential (psi) ① | Remote Pilot Construction (Minimum Pilot Valve Orifice Size = 1/8") | | Const. Ref. | Watt Rating/Class of Coil Insulation AC | Rebuild Kit AC Valves Kit No. | Diaphragm Only 10 Pack "Zip" Kit Kit No. |
|----------------|-------------------|----------------|--|--|---|----------------|-------------|---|-------------------------------|--|
| | | | | | Integral Pilot Catalog Number | Catalog Number | | | | |
| 3/4 | 3/4 | 10.5 | 5 | 125 | - | 8353C033 ③ | 1 | - | 96875 | 238864 |
| 3/4 ① | 3/4 | 10.5 | 5 | 125 | - | 8353C030 ③ | 1 | - | 96875 | 238864 |
| 3/4 ② | 3/4 | 10.5 | 5 | 125 | - | 8353C004 ③ | 1 | - | 96875 | 238864 |
| 1 | 1 1/8 | 20 | 5 | 125 | - | 8353C035 ④ | 1 | - | 200262 | 238866 |
| 1 | 1 1/8 | 20 | 5 | 125 | 8353G041 ④ | - | 4 | 6.1/F | 316563 | 238866 |
| 1 | 1 5/8 | 18 | 15 | 125 | 8353G006 ⑤⑥ | - | 3 | 17.1/F | 300144 | - |
| 1 1/4 | 1 5/8 | 20 | 15 | 125 | 8353G005 ⑤⑥ | - | 3 | 17.1/F | 300144 | - |
| 1 1/2 | 1 1/2 | 35 | 15 | 125 | 8353G001 ⑤⑥ | - | 3 | 17.1/F | 300144 | - |
| 1 1/2 | 2 | 53 | 10 | 125 | - | 8353H038 ④ | 2 | - | 276886 | 238870 |
| 1 1/2 | 2 | 53 | 5 | 125 | 8353J039 ④ | - | 5 | 10.1/F | 322108 | 238870 |
| 1 1/2 | 2 | 48 | 5 | 125 | 8353G061 ⑨ | - | 5 | 10.1/F | 316297 | - |
| 1 1/2 | 2 | 48 | 10 | 125 | - | 8353A062 ⑨ | 2 | - | 276884 | - |
| 2 | 2 | 60 | 15 | 125 | 8353G002 ⑤⑥ | - | 3 | 17.1/F | 300145 | - |
| 2 | 2 | 76 | 5 | 125 | - | 8353 048 ⑥⑦ | 2 | - | 256802 | 256797 |
| 2 | 2 | 76 | 5 | 125 | 8353G050 ⑥ | - | 5 | 10.1/F | 316029 | 256797 |
| 2 1/2 | 3 | 82 | 15 | 125 | 8353G007 ⑤ | - | 6 | 10.1/F | 176878 | - |
| 3 | 3 | 140 | 15 | 125 | 8353G008 ⑤ | - | 6 | 10.1/F | 176878 | - |

① Supplied with internal slip fit connection on outlet.
 ② Extended ends for Dresser connections.
 ③ NBR diaphragm.
 ④ HYT diaphragm max. fluid temp. 150°F.
 For higher temperature, consult factory.
 ⑤ CR diaphragm/PA disc.
 ⑥ CR diaphragm.
 ⑦ Minimum pilot orifice size 7/32".
 ⑧ Consult factory for remote piloted construction.
 ⑨ NBR diaphragm, PA disc, long-life construction. Maximum fluid temp. 185°F.
 ⑩ Contact local sales office for DC pressure requirements.

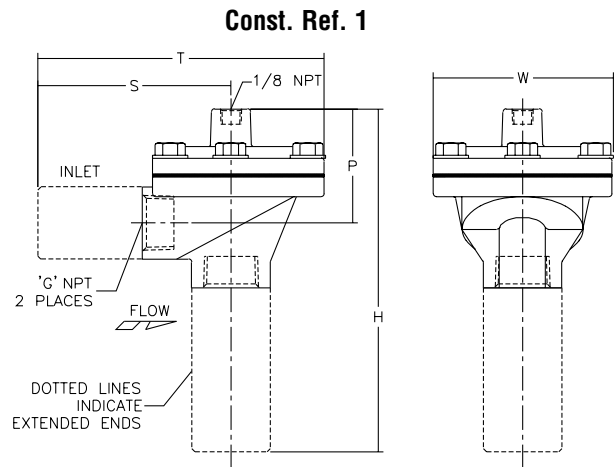
Specifications (Metric units)

| Pipe Size (in) | Orifice Size (mm) | Kv Flow Factor (m³/h) | Min. Operating Pressure Differential (bar) ① | Max. Operating Pressure Differential (bar) ① | Remote Pilot Construction (Minimum Pilot Valve Orifice Size = 1/8") | | Const. Ref. | Watt Rating/Class of Coil Insulation AC | Rebuild Kit AC Valves Kit No. | Diaphragm Only 10 Pack "Zip" Kit Kit No. |
|----------------|-------------------|-----------------------|--|--|---|----------------|-------------|---|-------------------------------|--|
| | | | | | Integral Pilot Catalog Number | Catalog Number | | | | |
| 3/4 | 19 | 9.0 | 0.3 | 8.6 | - | 8353C033 ③ | 1 | - | 96875 | 238864 |
| 3/4 ① | 19 | 9.0 | 0.3 | 8.6 | - | 8353C030 ③ | 1 | - | 96875 | 238864 |
| 3/4 ② | 19 | 9.0 | 0.3 | 8.6 | - | 8353C004 ③ | 1 | - | 96875 | 238864 |
| 1 | 29 | 17.1 | 0.3 | 8.6 | - | 8353C035 ④ | 1 | - | 200262 | 238866 |
| 1 | 29 | 17.1 | 0.3 | 8.6 | 8353G041 ④ | - | 4 | 6.1/F | 316563 | 238866 |
| 1 | 41 | 15.4 | 1.0 | 8.6 | 8353G006 ⑤⑥ | - | 3 | 17.1/F | 300144 | - |
| 1 1/4 | 41 | 17.1 | 1.0 | 8.6 | 8353G005 ⑤⑥ | - | 3 | 17.1/F | 300144 | - |
| 1 1/2 | 38 | 30.0 | 1.0 | 8.6 | 8353G001 ⑤⑥ | - | 3 | 17.1/F | 300144 | - |
| 1 1/2 | 51 | 45.4 | 0.7 | 8.6 | - | 8353H038 ④ | 2 | - | 276886 | 238870 |
| 1 1/2 | 51 | 45.4 | 0.3 | 8.6 | 8353J039 ④ | - | 5 | 10.1/F | 322108 | 238870 |
| 1 1/2 | 51 | 41.1 | 0.3 | 8.6 | 8353G061 ⑨ | - | 5 | 10.1/F | 316297 | - |
| 1 1/2 | 51 | 41.1 | 0.7 | 8.6 | - | 8353A062 ⑨ | 2 | - | 276884 | - |
| 2 | 51 | 51.4 | 1.0 | 8.6 | 8353G002 ⑤⑥ | - | 3 | 17.1/F | 300145 | - |
| 2 | 51 | 65.1 | 0.3 | 8.6 | - | 8353 048 ⑥⑦ | 2 | - | 256802 | 256797 |
| 2 | 51 | 65.1 | 0.3 | 8.6 | 8353G050 ⑥ | - | 5 | 10.1/F | 316029 | 256797 |
| 2 1/2 | 76 | 70.3 | 1.0 | 8.6 | 8353G007 ⑤ | - | 6 | 10.1/F | 176878 | - |
| 3 | 76 | 120.0 | 1.0 | 8.6 | 8353G008 ⑤ | - | 6 | 10.1/F | 176878 | - |

SPECIAL SERVICE VALVES

Dimensions inches (mm)

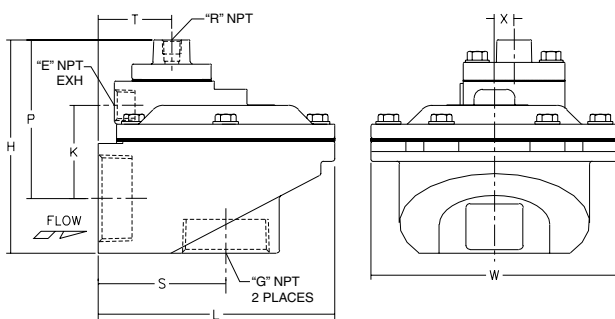
| Cat. No. | "G" | | H | L | P | Bonnet Bolts | T | W |
|----------|---------------------|----|-------|------|------|--------------|-------|------|
| 8353C004 | Extended End | in | 7.94 | 3.69 | 2.16 | 5.00 | 5.16 | 3.44 |
| | | mm | 201.6 | 93.7 | 54.8 | 127.0 | 131.0 | 87.3 |
| 8353C030 | 3/4 NPT (Inlet) | in | 3.44 | 1.69 | 2.19 | 5.00 | 3.47 | 3.44 |
| | | mm | 87.3 | 42.9 | 55.6 | 127.0 | 88.1 | 87.3 |
| | 3/4 Socket (Outlet) | in | 3.44 | 1.69 | 2.19 | 5.00 | 3.47 | 3.44 |
| | | mm | 87.3 | 42.9 | 55.6 | 127.0 | 88.1 | 87.3 |
| 8353C033 | 3/4 NPT | in | 3.44 | 1.69 | 2.19 | 5.00 | 3.47 | 3.44 |
| | | mm | 87.3 | 42.9 | 55.6 | 127.0 | 88.1 | 87.3 |
| 8353C035 | 1 NPT | in | 2.53 | 2.03 | 1.69 | 4.00 | 3.50 | 2.94 |
| | | mm | 64.3 | 51.6 | 42.9 | 101.6 | 88.9 | 74.6 |



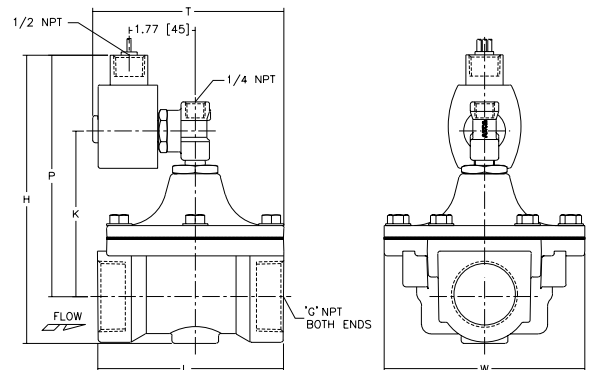
| Cat. No. | "E" NPT | "G" NPT | H | L | P | "R" NPT | S | T | W | X | |
|----------|---------|---------|----|-------|-------|---------|-----|------|------|-------|------|
| 8353H038 | 3/8 | 1 1/2 | in | 4.63 | 5.16 | 3.44 | 1/8 | 2.78 | 1.61 | 5.38 | 0.44 |
| | | | mm | 117.5 | 131.0 | 87.3 | | 70.6 | 40.9 | 136.5 | 11.1 |
| 8353A062 | 3/8 | 1 1/2 | in | 5.16 | 5.16 | 3.44 | 1/8 | 2.78 | 1.61 | 5.38 | 0.44 |
| | | | mm | 131.0 | 131.0 | 87.3 | | 70.6 | 40.9 | 136.5 | 11.1 |
| 8353 048 | 3/4 | 2 | in | 6.47 | 6.63 | 4.69 | 1/4 | 3.75 | 2.56 | 6.50 | - |
| | | | mm | 164.3 | 168.3 | 119.1 | | 95.3 | 65.1 | 165.1 | - |

| Cat. No. | "G" NPT | H | L | P | S | T | W | |
|----------|---------|----|-------|-------|-------|------|-------|-------|
| 8353G001 | 1 1/2 | in | 7.72 | 5.00 | 6.47 | 1.78 | 5.13 | 5.38 |
| | | mm | 196.1 | 127.0 | 164.3 | 45.2 | 130.2 | 136.5 |
| 8353G002 | 2 | in | 8.34 | 6.09 | 6.84 | 1.78 | 5.56 | 6.34 |
| | | mm | 211.9 | 154.8 | 173.8 | 45.2 | 141.3 | 161.1 |
| 8353G005 | 1 1/4 | in | 7.72 | 5.00 | 6.47 | 1.78 | 5.13 | 5.38 |
| | | mm | 196.1 | 127.0 | 164.3 | 45.2 | 130.2 | 136.5 |
| 8353G006 | 1 | in | 7.72 | 5.00 | 6.41 | 1.78 | 5.13 | 5.38 |
| | | mm | 196.1 | 127.0 | 162.7 | 45.2 | 130.2 | 136.5 |

Const. Ref. 2

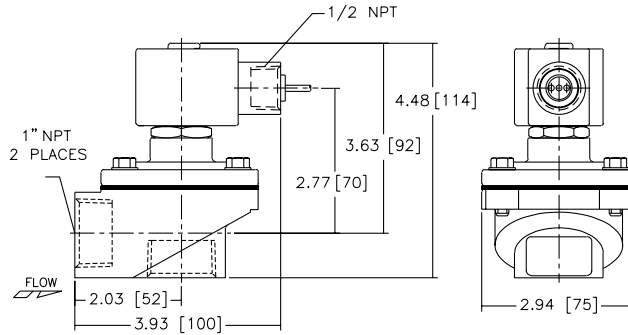


Const. Ref. 3

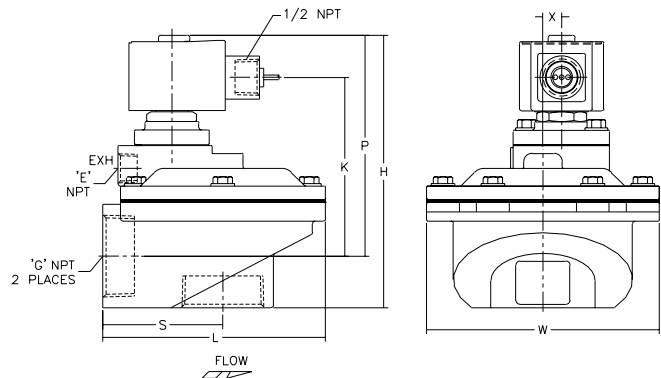


Dimensions inches (mm)

Const. Ref. 4

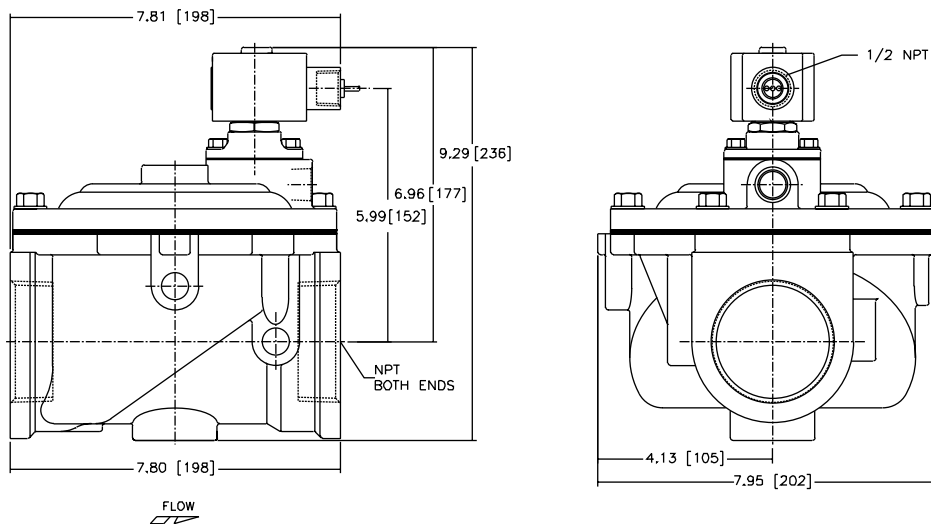


Const. Ref. 5



| Cat. No. | "E" NPT | "G" NPT | H | | L | | P | | S | | T | | W | | X | |
|----------|---------|---------|------|-------|------|-------|------|-------|------|------|------|------|------|-------|------|------|
| | | | in | mm | in | mm | in | mm | in | mm | in | mm | in | mm | in | mm |
| 8353J039 | 3/8 | 1 1/2 | 6.28 | 159.5 | 5.16 | 131.0 | 5.08 | 129.0 | 2.78 | 70.6 | 1.61 | 40.9 | 5.38 | 136.5 | 0.44 | 11.1 |
| 8353G061 | 3/8 | 1 1/2 | 6.28 | 159.5 | 5.16 | 131.0 | 5.08 | 129.0 | 2.78 | 70.6 | 1.61 | 40.9 | 5.38 | 136.5 | 0.44 | 11.1 |
| 8353G050 | 3/4 | 2 | 8.25 | 209.6 | 6.63 | 168.3 | 6.47 | 164.3 | 3.75 | 95.3 | 2.56 | 65.1 | 6.50 | 165.1 | - | - |

Const. Ref. 6



SPECIAL SERVICE VALVES